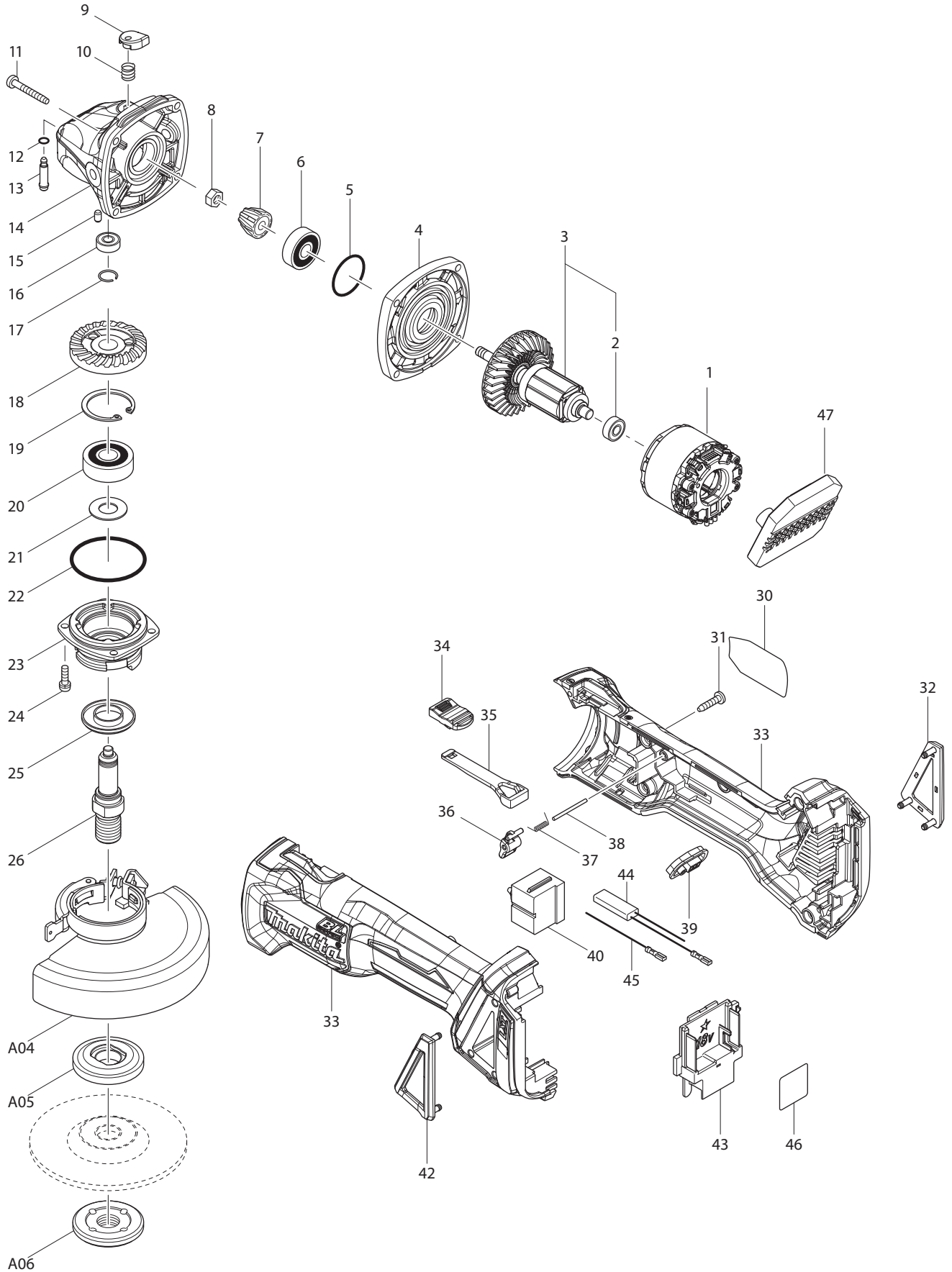




09 - 2014

DGA454RMEX, DGA454Z, DGA454ZX1 18V Brushless 4-1/2" Grinder, Slide Switch



Item No	Type	Sub	Part No	S Description	Qty	Unit
001	4		629B61-9	* STATOR	1	PC.
002	2		210169-4	BALL BEARING 607LLB	1	PC.
003	3		510329-1	ROTOR ASSY	1	PC.
		INC.		Item No. 2		
004			319214-3	GEAR HOUSING COVER	1	PC.
005			213445-5	O RING 26	1	PC.
006			210042-8	BALL BEARING 629LLB	1	PC.
007	1		227541-3	* SPIRAL BEVEL GEAR 10	1	PC.
	2		226861-2	* SPIRAL BEVEL GEAR 10	1	PC.
008			252186-8	HEX. NUT M6	1	PC.
009			417771-6	PIN CAP	1	PC.
010			233072-2	COMPRESSION SPRING 8	1	PC.
011			266361-0	TAPPING SCREW 4X30	4	PC.
012			213960-9	O RING 5	1	PC.
013			256546-6	SHOULDER PIN 4	1	PC.
014			319213-5	GEAR HOUSING	1	PC.
015			263002-9	RUBBER PIN 4	1	PC.
016			210033-9	BALL BEARING 696ZZ	1	PC.
017			233950-6	RING SPRING 11	1	PC.
018	1		227641-9	* SPIRAL BEVEL GEAR 37	1	PC.
	2		226862-0	* SPIRAL BEVEL GEAR 37	1	PC.
019			962151-6	RETAINING RING R-32	1	PC.
020			211129-9	BALL BEARING 6201DDW	1	PC.
021	2		267238-2	FLAT WASHER 12	1	PC.
022			213622-9	O RING 45	1	PC.
023			318331-6	BEARING BOX	1	PC.
024			911121-2	PAN HEAD SCREW M4X14	4	PC.
025			345464-4	LABYRINTH RING	1	PC.
026			324955-8	SPINDLE A	1	PC.
030			850J29-4	NAME PLATE F/DGA454	1	PC.
031			266326-2	TAPPING SCREW 4X18	5	PC.
032			455450-8	DUST COVER R	1	PC.
033			187998-9	MOTOR HOUSING SET	1	PC.
		INC.				
			263005-3	RUBBER PIN 6	2	PC.
034			455447-7	SWITCH KNOB	1	PC.
035			455446-9	SWITCH LEVER	1	PC.
036			455448-5	LEVER	1	PC.
037			231679-8	TORSION SPRING 2	1	PC.
038			268330-7	PIN 2	1	PC.
039			142901-7	INDICATOR PANEL COMPLETE	1	PC.
040			650579-7	SWITCH 1246.3223, SINGLE	1	PC.
042			455449-3	DUST COVER L	1	PC.
043			643899-6	TERMINAL	1	PC.
044			632E34-1	* RESISTOR UNIT - N/L/A	1	PC.
045			632E33-3	* LEAD UNIT - N/L/A	1	PC.
046			850J34-1	SERIAL NO. LABEL F/DGA454	1	PC.
047			620K33-1	* CONTROLLER	1	PC.
048			652119-7	* PH SCREW M2X6	6	PC.
C01			876948-6	CARTON	1	PC.
D01			652044-2	+BIND SCREW M3.5X5.0	2	PC.
D02			654509-0	* CONNECTOR 2-SD - N/L/A	1	PC.
E01			805C41-7	CAUTION LABEL	1	PC.

Item No	Type	Sub	Part No	S Description	Qty	Unit
ACCESSORIES - See Catalogue or visit www.makita.ca for more accessories -						
A01	2		D-20781	4-1/2" D.C.W. A24R	1	PC.
	Opt.		-----	DEPRESSED CENTER GRINDING WHEELS		
A02			158237-4	GRIP 36 COMPLETE (RUBBER GRIP)	1	PC.
	Opt.		194514-0	VIBRATION PROOF GRIP F/4" - 6", PKG	1	PC.
A03			782424-9	LOCK NUT WRENCH 28	1	PC.
A04			123144-0	4-1/2" TOOLLESS WHEEL COVER ASSY (D.C.W)	1	PC.
		INC.	213009-5	O RING 4	1	PC.
		INC.	265180-1	PAN HEAD SCREW M5X16	1	PC.
A05			224399-1	INNER FLANGE 45	1	PC.
A06			224568-4	LOCK NUT 5/8-45	1	PC.
A07			122910-2	4-1/2" WHEEL COVER (C.O.W)	1	PC.
A08			743036-3	RUBBER PAD F/4-1/2" GRINDER	1	PC.
A10			193048-0	SANDING LOCK NUT 5/8-48	1	PC.
A11			821007X	TOOL BAG 21"	1	PC.
	2		197212-5	INTERLOCKING TOOL CASE L	1	PC.
		INC.	453974-8	LOCKING LATCH	4	PC.
A12			T-02571	FOAM INSERT F/INTERLOCK CASE	3	PC.
A13			-----	18V LI-ION BATTERY		
A14			-----	BATTERY CHARGER		
A15			-----	LI-ION BATTERY ACCESSORIES		
A16			-----	2 IN 1 GRINDING & CUTTING ABRASIVE DISCS		
A17			-----	ZIRCONIUM MULTI-DISCS		
A18			-----	STRIP DISCS		
A19			-----	KNOT STYLE WIRE CUP BRUSHES		
A20			-----	WIRE BEVEL WHEEL BRUSHES		
A21			-----	CRIMPED STYLE WIRE CUP BRUSHES		
A23			-----	RESIN FIBRE SANDING DISCS		
A24			-----	CUT-OFF WHEELS		
A25			B-46159-25	4-1/2" THIN KERF C.O.W 25PC/SET	1	SET
A26			-----	FLEXIBLE DEPRESSED CENTRE GRINDING WHEELS		
				DUST COLLECTION COVER F/ 4-1/2" - 5" DMND CUP		
F41			1911K3-9	WHEEL	1	PC.

SERVICE CHANGES

1. Changes on Stator Complete

(TI#B0251) (TI#B4436) (TI#DE855)

Item No.	Description	Type 1	Type 2	Type 3	Type 4
1	STATOR COMPLETE	629134-6	629173-6	629176-0	-----
1	STATOR	-----	-----	-----	629B61-9
44	RESISTOR UNIT	632E34-1	-----	-----	-----
45	LEAD UNIT	632E33-3	-----	-----	-----
D02	CONNECTOR 2-SD	654509-0	-----	-----	-----
47	CONTROLLER	-----	-----	-----	620K33-1
48	PH SCREW M2X6	-----	-----	-----	652119-7

Above parts are completely interchangeable as a set.

See TI# B0251 and TI# DE855 for repair and wiring

2. Changes on Spiral bevel gear.

(TI#C3594)

Item No.	Description	Type 1	Type 2
7	Spiral bevel gear 10	227541-3	226861-2
18	Spiral bevel gear 37	227641-9	226862-0

Above parts are completely interchangeable as a set.